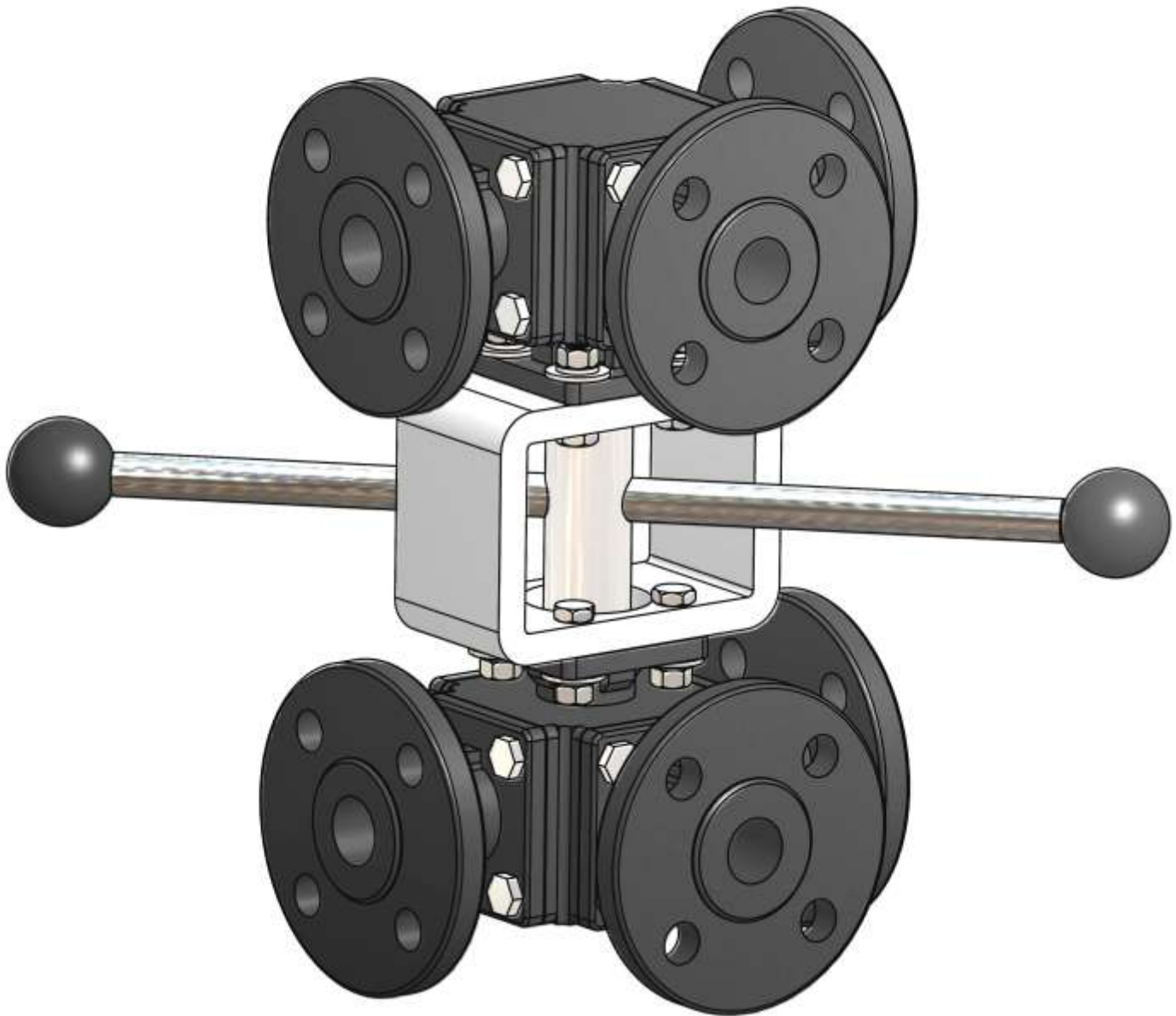
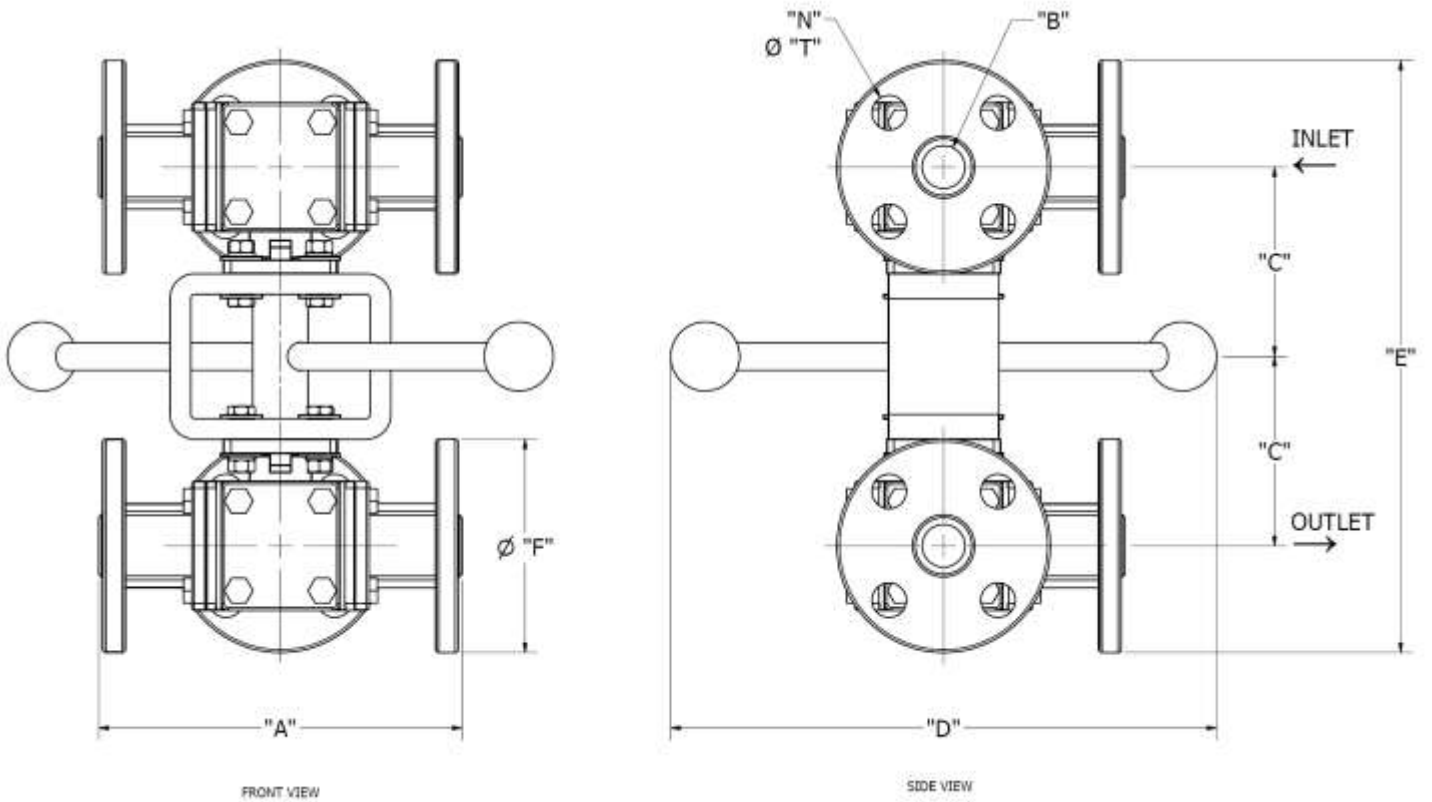


IES-TP-005
SEPT 2009

SIX PORTED CONTINUOUS FLOW TRANSFER VALVES



DIMENSIONS:



VALVE SIZES	150 PSIG								300 PSIG							
	A	B	C	D	E	N	T	F	A	B	C	D	E	N	T	F
3/4"	6.57	0.79	3.43	13.50	10.75	4	0.63	3.88	6.97	0.79	3.43	13.50	11.48	4	0.75	4.62
1"	7.48	0.98	3.66	13.50	11.57	4	0.63	4.25	7.87	0.98	3.66	13.50	12.20	4	0.75	4.88
1-1/2"	8.66	1.50	4.41	13.50	13.82	4	0.63	5.00	9.21	1.50	4.41	13.50	14.94	4	0.75	6.12
2"	9.96	1.97	5.66	13.50	17.32	4	0.75	6.00	10.75	1.97	5.66	13.50	17.82	8	0.75	6.50
3"	12.01	3.00	7.39	13.50	22.28	4	0.75	7.50	13.01	3.00	7.39	13.50	23.03	8	0.88	8.25
4"	14.51	3.78	8.18	13.50	25.36	8	0.75	9.00	15.49	3.78	8.18	13.50	26.36	8	0.88	10.00

WEIGHT:

SIZE IN.	3/4"	1"	1-1/2"	2"	3"	4"
150 LBS	24	40	75	120	175	335
300 LBS	40	54	96	135	225	375

C_v:
150/300

SIZE IN.	3/4"	1"	1-1/2"	2"	3"	4"
90°	15	24	65	106	255	409
180°	21	33	92	147	356	561

TORQUE:
150/300
(lbs-IN)

SIZE IN.	3/4"	1"	1-1/2"	2"	3"	4"
LBS-IN	234	425	722	1594	2656	3398